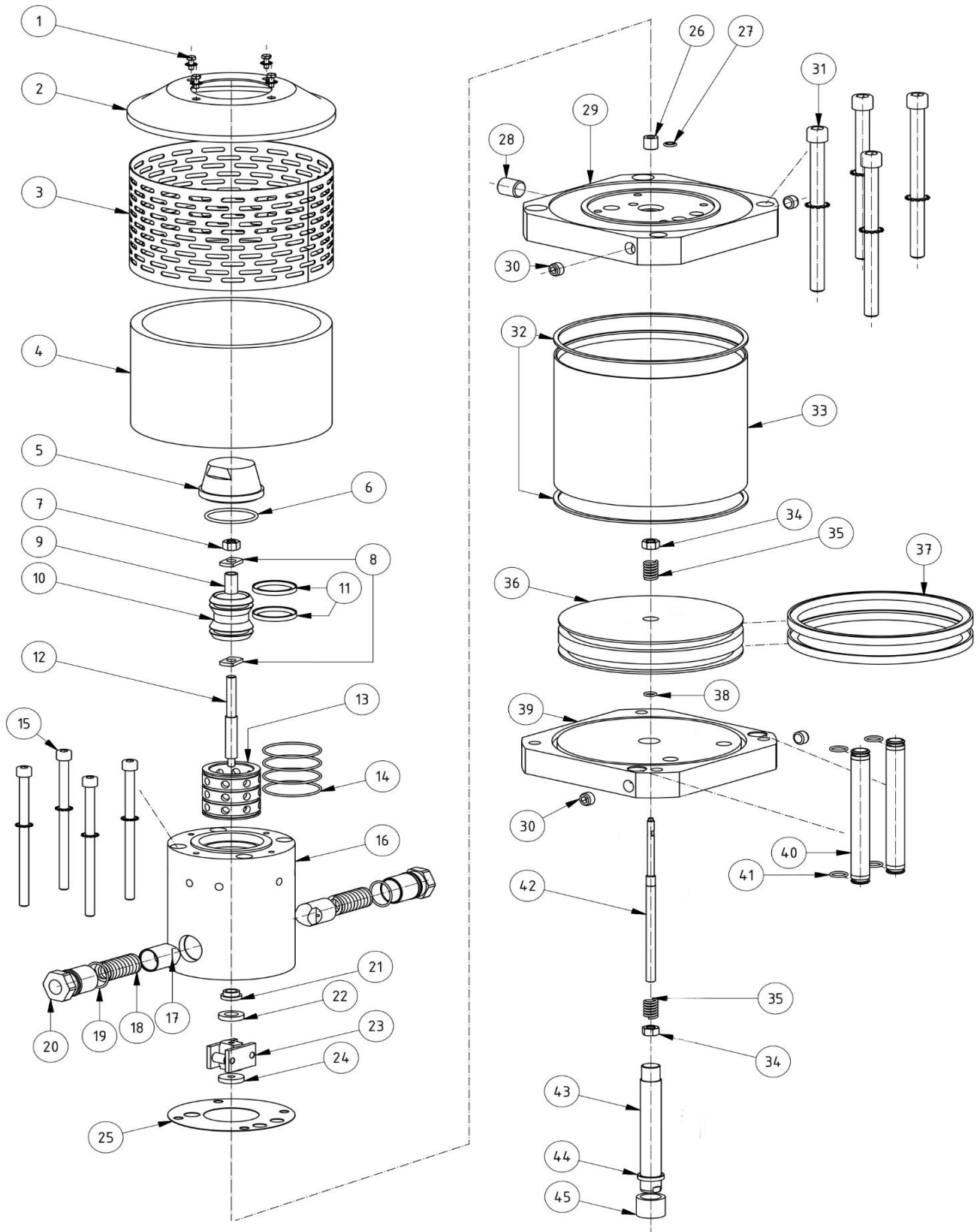


# W 12000 ABRA (PARTE ARIA) DISEGNO ESPLOSO / BREAKDOWN DRAWING



**W.I.T. srl**

Registered Office: P.le P.ssa Clotilde, 6 | 20121 Milan (MI) | Italy

Headquarter: Via Libero Grassi, 7 | 23875 Osnago (LC) | Italy

Tel +39 (0)39 514180 | Fax +39 (0)39 9515471 | info@witsrl.com | www.witsrl.com

VAT #: IT08003560961 | Reg. Imprese Milano: 1996552



# W 12000 ABRA (PARTE ARIA) ELENCO PARTI / SPARE PARTS LIST

POS	COD.	DESCRIZIONE	QTA
1	5229	Vite fissaggio coperchio + rondelle / Fixing cover screw + washers	4
2	23015	Coperchio silenziatore / Cover, motor silencer	1
3	23016	Rete filtro / Filter screen	1
4	23017	Copertura fonoassorbente / Silencer	1
5	18501	Cappuccio / Cap	1
6	18502	OR cappuccio / OR cap	1
7	20806	Dado / Bolt	1
8	18514	Rondella superiore / Upper washer	2
9	18572	Distanziale inversione / Spacer reversal	1
10	18503	Spoletta delrin / Fuse delrin	1
11	77422	Lubroring spoletta / Lubroring fuse	2
12	18513	Albero inversore / Pilot spindle	1
13	18504	Camicia per spoletta / Seal, fuse	1
14	18505	OR per camicia / OR seal	4
15	18541	Vite / Screw	4
16	18540	Corpo distributore / Distributor body	1
17	18509	Tastatore / Trace point	2
18	18510	Molla / Spring	2
19	18511	OR del corpo tastatore / OR tracer point body	2
20	18512	Corpo del tastatore / Body, tracer point	2
21	18520	Boccola / Bushing	1
22	18515	Distanziale / Spacer	1
23	23179	Blocchetto inversore / Reversal control system	1
24	3105	Distanziale superiore PU/ Upper Spacer PU	1
25	18519	Guarnizione in flexoid / Flexoid gasket	1
26	24107SC	Boccola autolubrificata / Self-lubricating bush	1
27	3100G2	Lubroring LRP 4081 + OR 4081 Spoletta/ Fuse gasket	1
28	3214	Tappo aria 3/8" / Air plug 3/8"	1
29	23019	Flangia superiore / Upper flange	1
30	67127	Tappo aria 1/4" / Conical plug 1/4"	4
31	23127	Tirante motore aria + rondelle / Socket screw + washers	4
32	23129	Guarnizione cilindro / Cylinder gasket	2
33	23130	Cilindro aria / Air cylinder	1
34	23173	Dado fermo molla / Nut	2
35	23172	Molla paracolpi astina / Spring	2
36	23133	Pistone aria / Air motor piston	1
37	23134	Lubroring pistone aria / Lubroring air piston	2
38	TTR4000	Or astina-flangia inf / OR needle-flange lower	1
39	23163	Flangia inferiore / Lower flange	1
40	23135	Tubo comunicazione aria / Air connection hose	2
41	23116	Or tubo comunicazione aria / OR air connection hose	4
42	23171	Astina di comando inversione / Rod	1
43	23166	Astina inversione / Rod	1
44	23169	Anello di tenuta colonnina / Retaining ring	1
45	23167	Bussola per colonnina / Socket	1

## **W.I.T. srl**

Registered Office: P.le P.ssa Clotilde, 6 | 20121 Milan (MI) | Italy

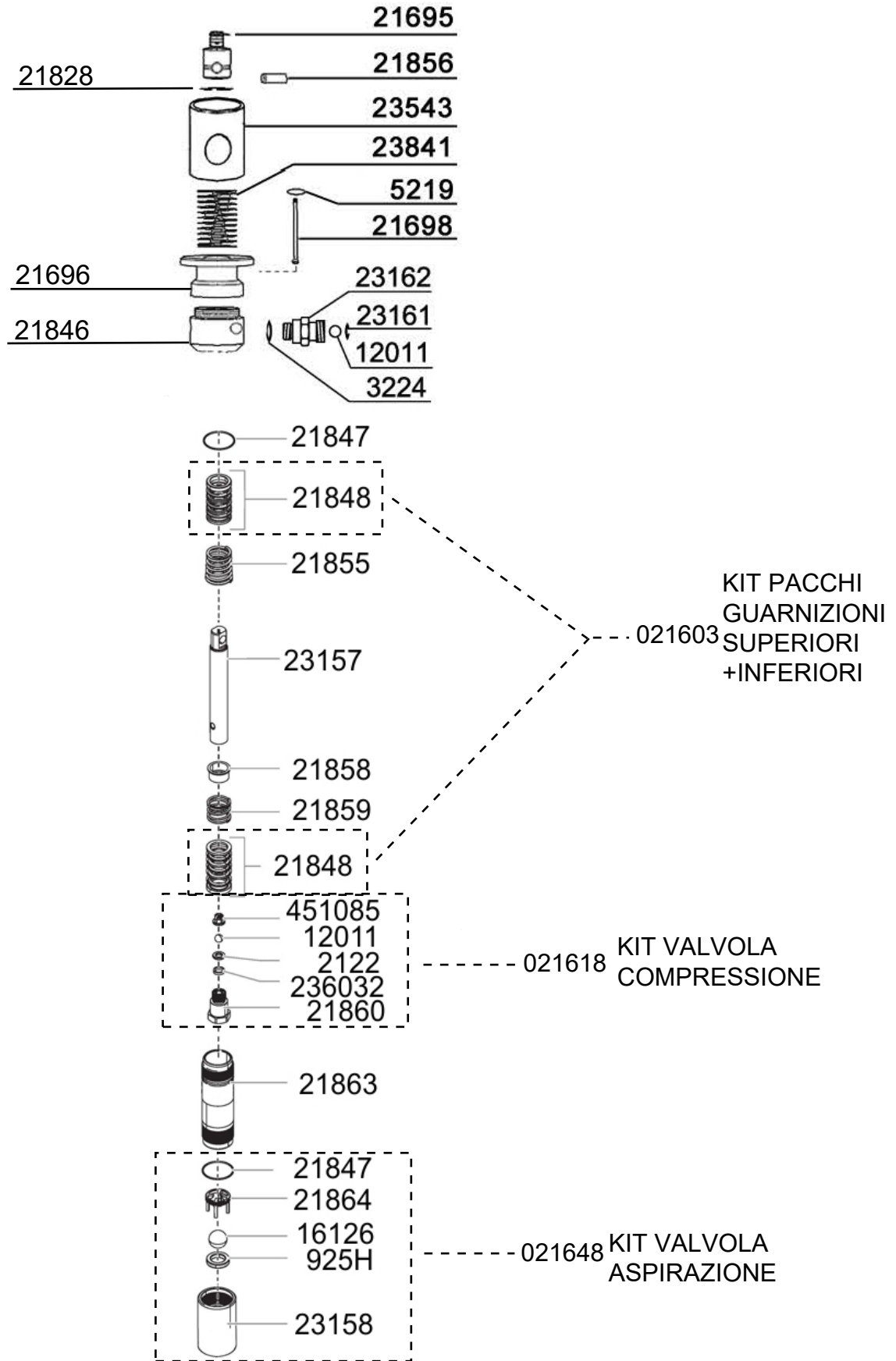
Headquarter: Via Libero Grassi, 7 | 23875 Osnago (LC) | Italy

Tel +39 (0)39 514180 | Fax +39 (0)39 9515471 | info@witsrl.com | www.witsrl.com

VAT #: IT08003560961 | Reg. Imprese Milano: 1996552



# W 12000 ABRA (PARTE FLUIDO) DISEGNO ESPLOSO / BREAKDOWN DRAWING



## **W.I.T. srl**

Registered Office: P.le P.ssa Clotilde, 6 | 20121 Milan (MI) | Italy

Headquarter: Via Libero Grassi, 7 | 23875 Osnago (LC) | Italy

Tel +39 (0)39 514180 | Fax +39 (0)39 9515471 | [info@witsrl.com](mailto:info@witsrl.com) | [www.witsrl.com](http://www.witsrl.com)

VAT #: IT08003560961 | Reg. Imprese Milano: 1996552



# W12000 ABRA (PARTE FLUIDO) ELENCO PARTI / SPARE PARTS LIST

REF.	DESCRIPTION
918	SCREW
2122	SEAT OUTLET VALVE, T.C.
3224	COPPER GASKET
5219	FIXING WASHER
10507	WASHER
10508	NUT
12011	BALL dia.11, S.S.
16126	BALL dia.25 S.S.
21695	CONNECTING JOINT
21696	FLANGE
21698	TIE-ROD
21769	SUPPORT
21785	SPACER
21786	SHAFT'S BUSH
21787	LOWER FLANGE
21828	STOP RING
21846	PUMPING HOUSING CENTRAL
21847	O-RING
21848	SEAL PACKING
21855	SPRING, UPPER PACKING
21856	PIN
21858	CUP SPRING
21859	SPRING
21860	OUTLET VALVE BODY
21863	PRODUCT CYLINDER
21864	BALL STOP COMPLETE
21867	PIN
21868	BUSH
21881	COLUMN
21885	TIE-ROD
23157	MATERIAL PISTON
23158	INLET VALVE BODY
23159	CONNECTING SHAFT
23161	BALL STOP RING
23162	CHECK VALVE NIPPLE
23543	SPACER CYLINDER
23841	SAFETY SPRING
236032	SEAL WASHER - OUTLET VALVE
451085	BALL STOP COMPLETE - OUTLET VALVE
925H	SEAT INLET VALVE, T.C.

## **W.I.T. srl**

Registered Office: P.le P.ssa Clotilde, 6 | 20121 Milan (MI) | Italy

Headquarter: Via Libero Grassi, 7 | 23875 Osnago (LC) | Italy

Tel +39 (0)39 514180 | Fax +39 (0)39 9515471 | [info@witsrl.com](mailto:info@witsrl.com) | [www.witsrl.com](http://www.witsrl.com)

VAT #: IT08003560961 | Reg. Imprese Milano: 1996552

